

A company dedicated to solving ergonomic and material handling problems since 1955.

Ergonomic Solutions

OWNERS MANUAL

EASY ACCESS STEEL STOCK TRUCK Series EASY-A

Contents	
Assembly	1
Parts List/Warranty	2

ASSEMBLY AND USE INSTRUCTIONS

The model EASY-A Easy Access Steel Stock Truck is intended to be used indoors for transporting miscellaneous materials and containers from one area of a building to another across a smooth, level, finished floor. Its maximum total load capacity is 1,200 lbs. -- each shelf individually has a maximum capacity of 660 lbs.

READ THROUGH ALL THE FOLLOWING STEPS BEFORE PROCEEDING WITH THE ASSEMBLY!

1. Inspect all parts for damage and to be certain all the required parts are included.
 You should find:
 (2) 1-1/4" X 5" poly-on-poly rigid casters and (2) 1-1/4" x 5" poly-on-poly swivel casters;
 (32) M8-1.25 hex head bolts, (32) M8 flat washers, (32) M8-1.25 nuts;
 (1) lower deck and (1) upper deck, (2) corner posts and (1) end post, and (2) push handles
2. Except for the casters, leave all the hardware only fingertight until the entire cart is assembled.
3. Locate the bottom deck (having four holes in each corner) and position it so that the sides are pointing downward. For use in typical loading applications, bolt on the swivel casters at the end having two holes in each deck side (the rear of the cart), and install the rigid casters on the opposite and (the front side). If the cart will be used only for light duty applications, the swivel casters can be bolted to the holes in the front of the deck. After verifying that the rigid casters are positioned parallel to the deck sides, tighten all the casters' mounting hardware. Turn the bottom deck over the rest on the casters.
4. Bolt on the corner uprights onto the bottom deck at the rear end of the cart. Install the end upright at the front end of the cart.
5. Bolt on the upper deck, positioned so that the sides are pointing downward and with the holes in the deck sides lined up with the holes in the three uprights.
6. Square the upper deck over the lower deck and adjust the uprights so they are plumb and square. Wrench tighten all

- of the hardware.
7. One push handle installs on each side of the swivel caster end of the cart. The lower end of the handles will mate to a hole drilled through the corner upright -- attach them with the longest bolts. The upper end of each push handle bolts through the upper deck using the 20 mm long bolts.
8. The optional tool box is mounted to the end of the upper deck, on the push handle end of the cart, using M8-1.25 bolts, washers and nuts.
9. The optional basket can be either hung from the bottom flange of the tool box or on bolts installed through the tool box's mounting holes.

Check the tightness of the hardware after one week of use, and periodically thereafter.

TO PREVENT POSSIBLE INJURY AND/OR PROPERTY DAMAGE

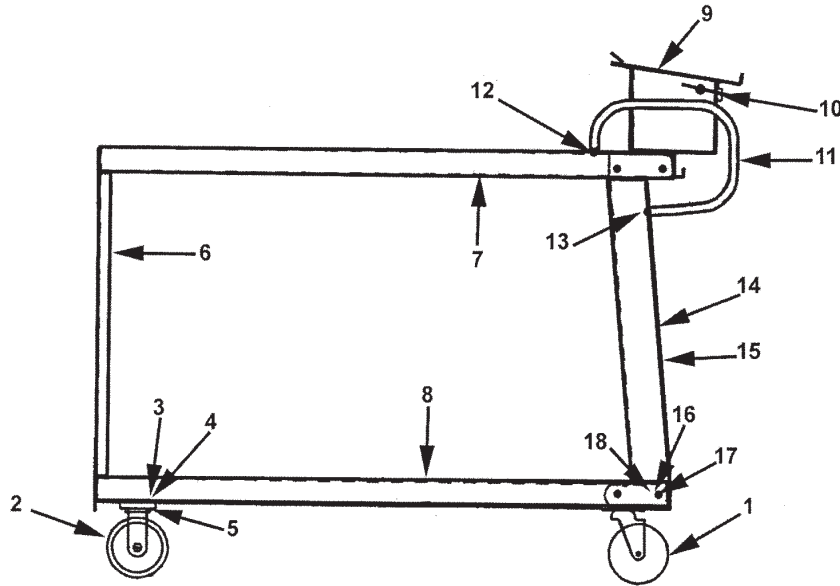
Caution: Items on the cart could tip and/or slide or the cart could overturn if a wheel stop suddenly (such as due to hitting a foreign object on, or a crack in, the floor) or if a corner is turned to quickly. To prevent possible injury and/or property damage, do not exceed the load ratings indicated above. Do not transport loads which overhang the sides or end of the cart.



**EASY ACCESS STEEL STOCK TRUCK
Series EASY-A**

PARTS IDENTIFICATION

EASY-ACCESS STEEL STOCK TRUCK • MODEL EASY-A-1836



EASY-2436-1
 EASY-2436-2
 EASY-2436-3
 EASY-2436-4
 EASY-2436-5
 EASY-2436-6
 EASY-2436-7
 EASY-2436-8
 EASY-2436-9
 EASY-2436-10
 EASY-2436-11
 EASY-2436-12
 EASY-2436-13
 EASY-2436-14
 EASY-2436-15

ITEM NO.	DESCRIPTION	model EASY-1836	
1	Swivel Caster	EASY-1836-1	EASY-2436-17
2	Rigid Caster	EASY-1836-2	EASY-2436-18
3	Caster Mount Bolt	EASY-1836-3	EASY-KIT-1
4	Caster Mount Washer	EASY-1836-4	
5	Caster Nut	EASY-1836-5	
6	Front Leg	EASY-1836-6	
7	Top Deck	EASY-1836-7	
8	Lower Deck	EASY-1836-8	
9	Writing Table / Storage Box	EASY-1836-9	
10	Security Pen	EASY-1836-10	
11	Handle (Universal)	EASY-1836-11	
12	Top Handle Bolt	EASY-1836-12	
13	Lower Handle Bolt	EASY-1836-13	
14	Rear Leg Left Side	EASY-1836-14	
15	Rear Leg Right Side	EASY-1836-15	
16	Leg Mounting Bolt	EASY-1836-16	
17	Leg Mounting Washer	EASY-1836-17	
18	Leg Mounting Nut	EASY-1836-18	
	Caster Kit (includes 4 casters & hardware)	EASY-KIT-1	

LIMITED WARRANTY

Vestil Manufacturing Corporation (“Vestil”) warrants this product to be free of defects in material and workmanship during the warranty period. *Our warranty obligation is to provide a replacement for a defective original part if the part is covered by the warranty, after we receive a proper request from the warrantee (you) for warranty service.*

Who may request service?

Only a warrantee may request service. *You are a warrantee if you purchased the product from Vestil or from an authorized distributor AND Vestil has been fully paid.*

What is an “original part”?

An original part is a part used to make the product as shipped to the warrantee.

What is a “proper request”?

A request for warranty service is proper if Vestil receives: 1) a photocopy of the Customer Invoice that displays the shipping date; AND 2) a written request for warranty service including your name and phone number. Send requests by any of the following methods:

Mail
Vestil Manufacturing Corporation
2999 North Wayne Street, PO Box 507
Angola, IN 46703

Fax
(260) 665-1339
Phone
(260) 665-7586

Email
sales@vestil.com

In the written request, list the parts believed to be defective and include the address where replacements should be delivered.

What is covered under the warranty?

After Vestil receives your request for warranty service, an authorized representative will contact you to determine whether your claim is covered by the warranty. Before providing warranty service, Vestil may require you to send the entire product, or just the defective part or parts, to its facility in Angola, IN. The warranty covers defects in the following *original* dynamic components: motors, hydraulic pumps, electronic controllers, switches and cylinders. It also covers defects in *original* parts that wear under normal usage conditions (“wearing parts”): bearings, hoses, wheels, seals, brushes, batteries, and the battery charger.

How long is the warranty period?

The warranty period for original components is 90 days. The warranty period begins on the date when Vestil ships the product to the warrantee. If the product was purchased from an authorized distributor, the period begins when the distributor ships the product. Vestil may extend the warranty period for products shipped from authorized distributors by *up to 30 days* to account for shipping time.

If a defective part is covered by the warranty, what will Vestil do to correct the problem?

Vestil will provide an appropriate replacement for any *covered* part. An authorized representative of Vestil will contact you to discuss your claim.

What is not covered by the warranty?

1. Labor;
2. Freight;
3. Occurrence of any of the following, which automatically voids the warranty:
 - Product misuse;
 - Negligent operation or repair;
 - Corrosion or use in corrosive environments;
 - Inadequate or improper maintenance;
 - Damage sustained during shipping;
 - Collisions or other incidental contacts causing damage to the product;
 - Unauthorized modifications: DO NOT modify the product IN ANY WAY without first receiving written authorization from Vestil. Modification(s) might make the product unsafe to use or might cause excessive and/or abnormal wear.

Do any other warranties apply to the product?

Vestil Manufacturing Corp. makes no other express warranties. All implied warranties are disclaimed to the extent allowed by law. Any implied warranty not disclaimed is limited in scope to the terms of this Limited Warranty.

